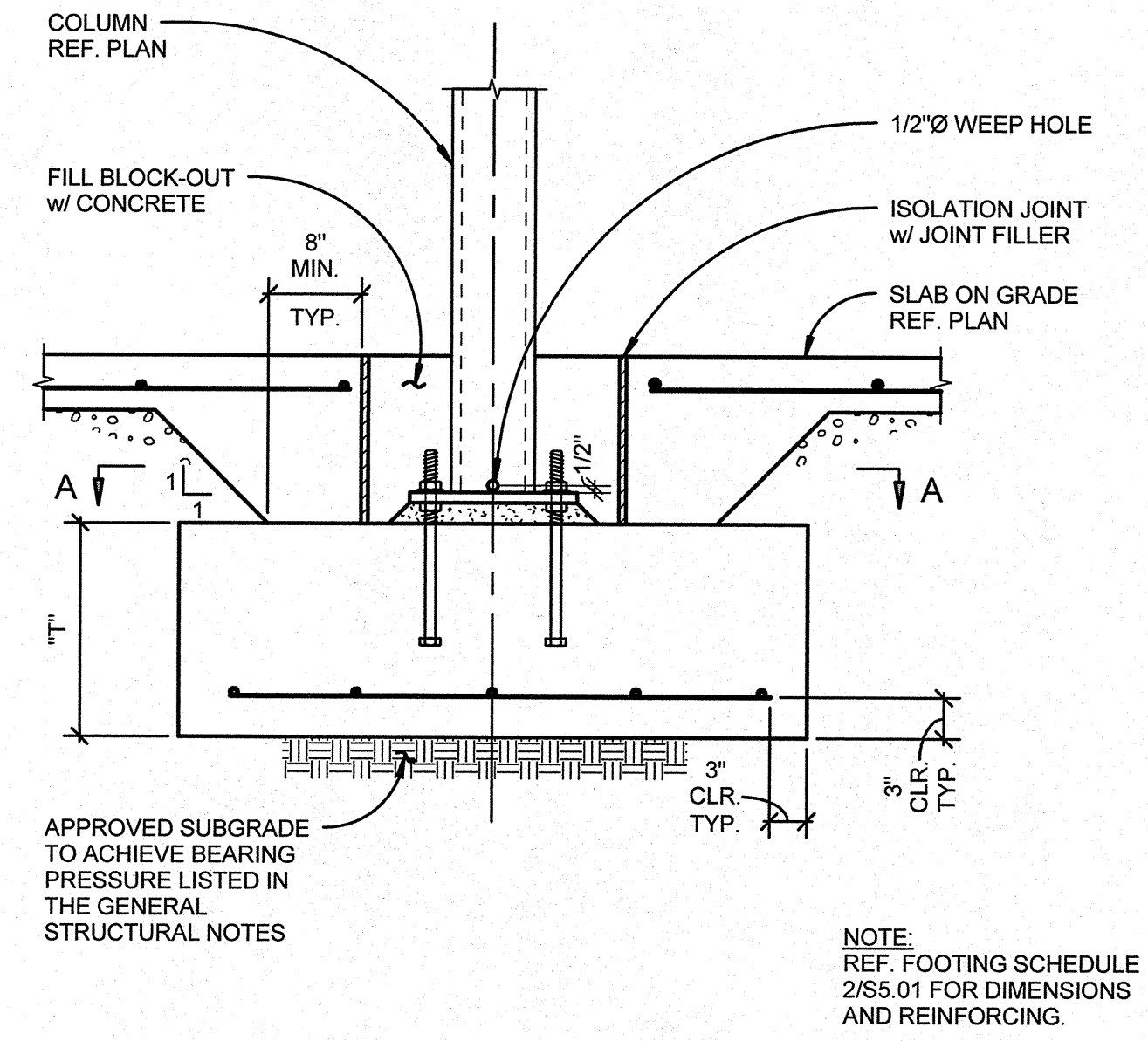
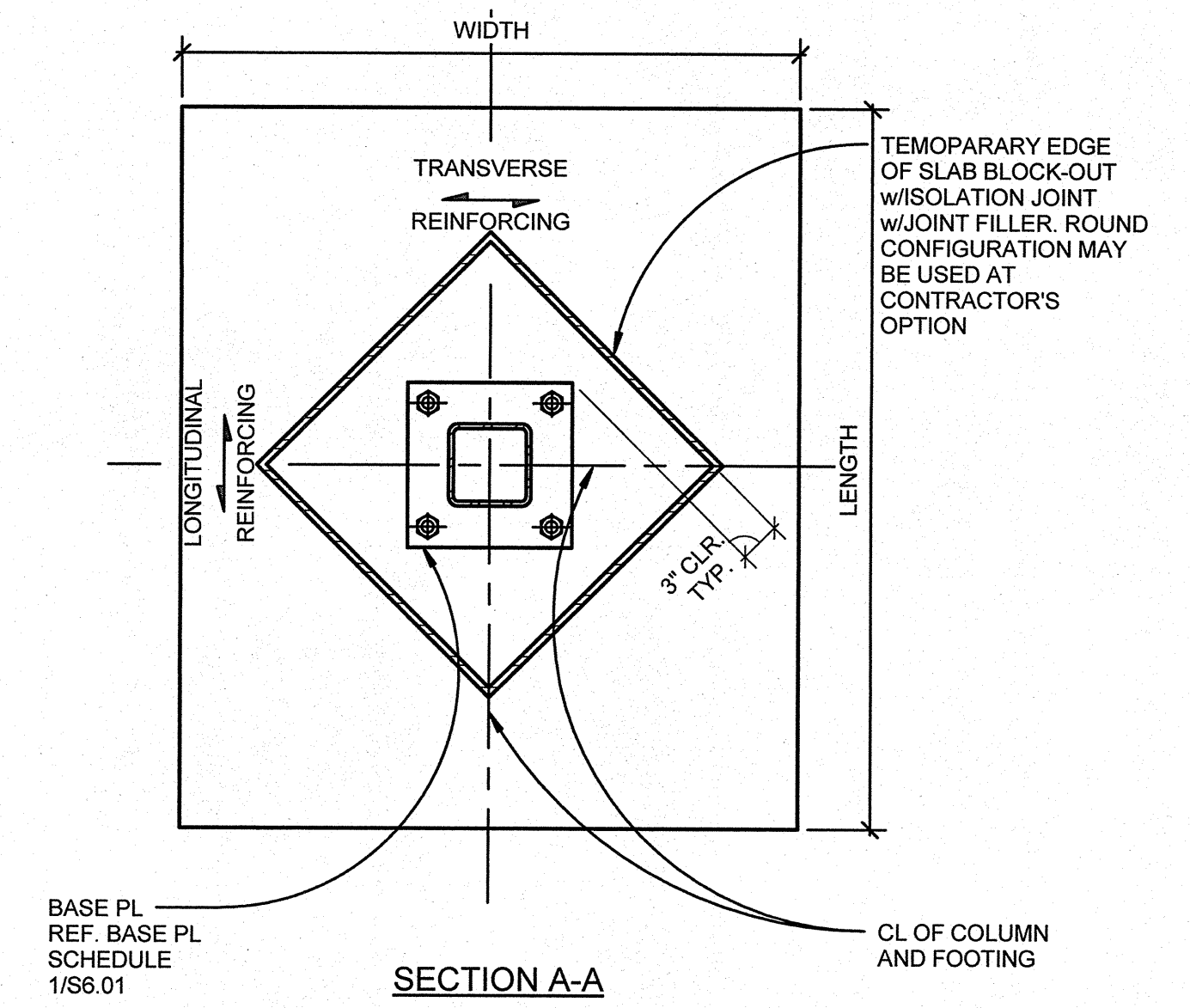


3 CONCRETE CURB DETAIL
1" = 1'-0" S1.2



1 FOOTING DETAIL AT STEEL COLUMN
1" = 1'-0" S1.2

| FOOTING SCHEDULE | | | |
|------------------|-------------------|-------|-----------------|
| MARK | SIZE LENGTHxWIDTH | "T" | REINFORCING |
| (A) | 3'-0"x3'-0" | 1'-0" | (3) #5 EACH WAY |

2 TYPICAL FOOTING SCHEDULE
1" = 1'-0"



Project Status
PERMIT/BID ISSUE

CONCRETE DETAILS
FERN RIDGE MIDDLE SCHOOL

S5.1
744-13107-30
04-29-2015
REVISIONS
ADP - 05/12/2015 Addendum A

